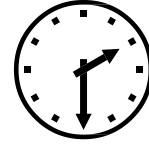
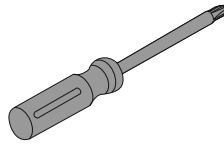
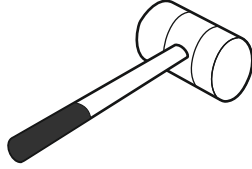
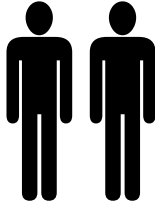
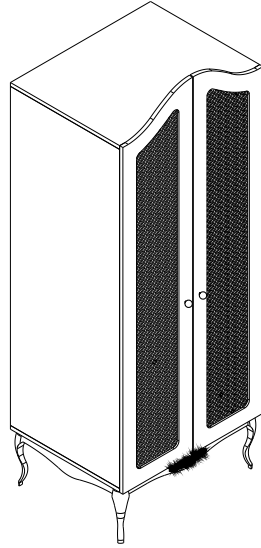
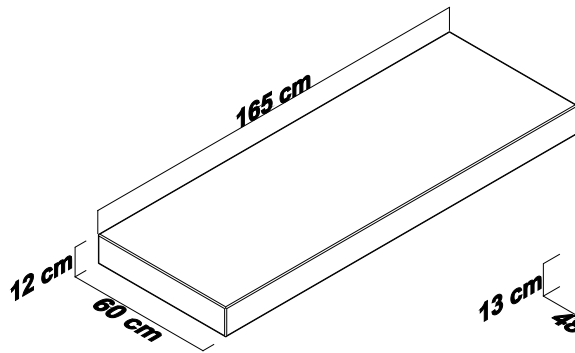




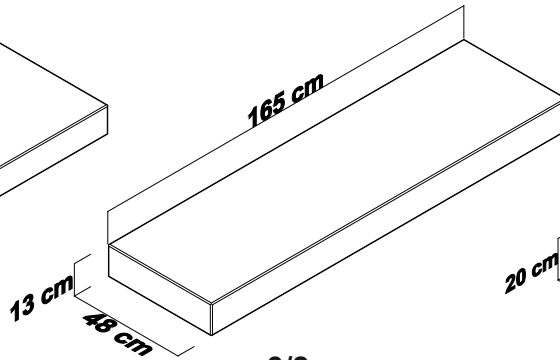
## TITI CAR BED CO.



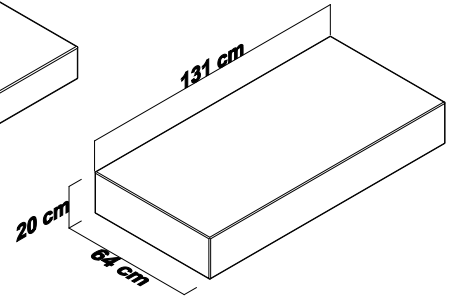
The Total Time 1.5 Hours



3/1  
1 Ad./pc.



3/2  
1 Ad./pc.



3/3  
1 Ad./pc.

KOD/MODEL NR

ÜRÜN ADI/PRODUCT NAME

VICTORY 2 KAPILI DOLAP (VICTORY 2 DOORS CABINET)

Montaj Klavuzu-Assembly Instructions

Sayfa-Page:8/1

3/3



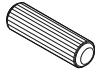
M×16 ad./pc.



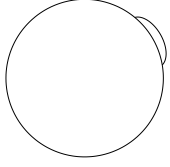
S×16 ad./pc



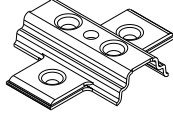
A×60 ad./pc



K×20 ad./pc



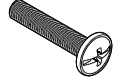
U×2 ad./pc



E×6 ad./pc.



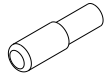
L×2 ad./pc.



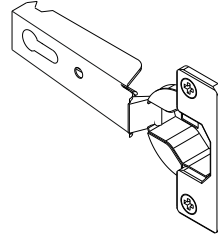
R×2 ad./pc



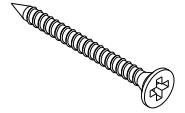
H×12 ad./pc



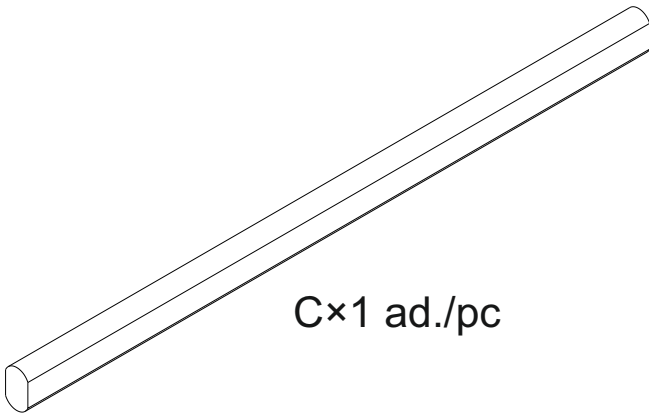
V×4 ad./pc



Y×6 ad./pc



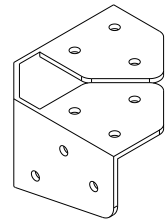
Au×8



C×1 ad./pc



YZ×4 ad./pc

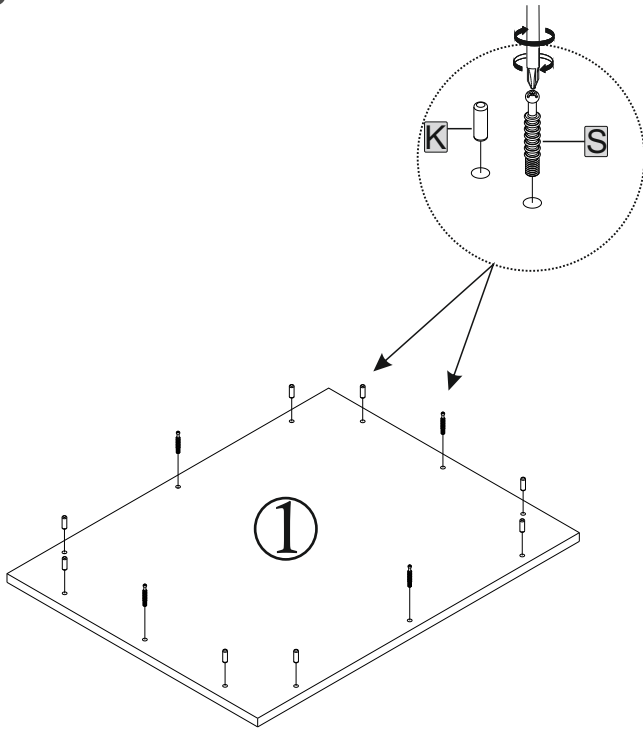


XY×4 ad./pc

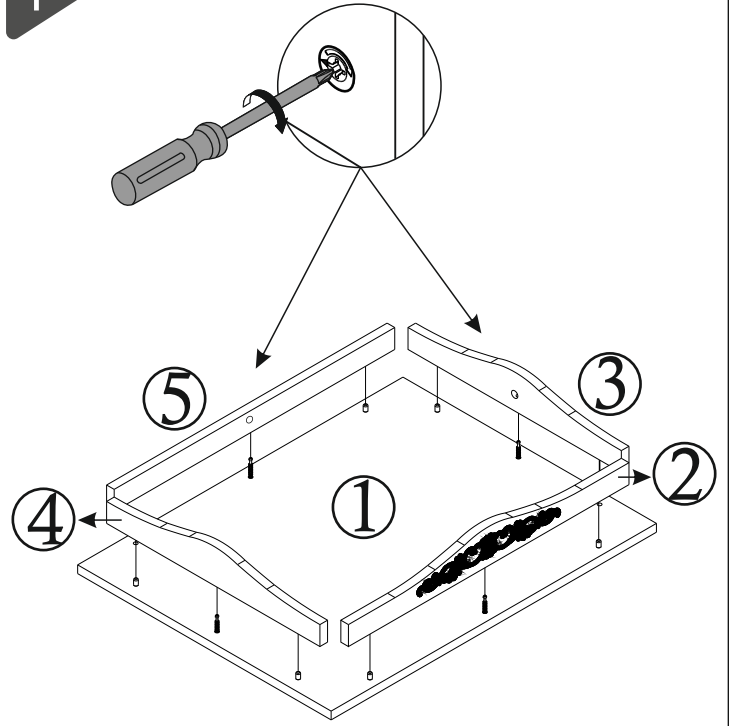


YI×16 ad./pc

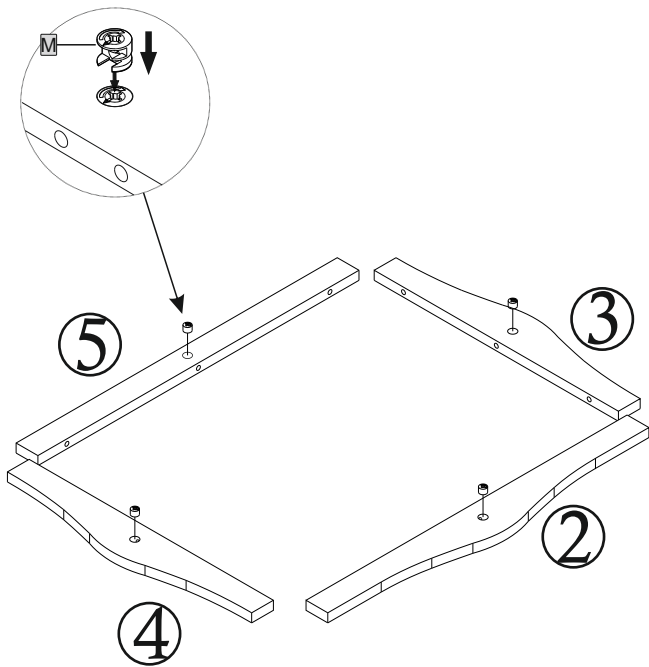
2



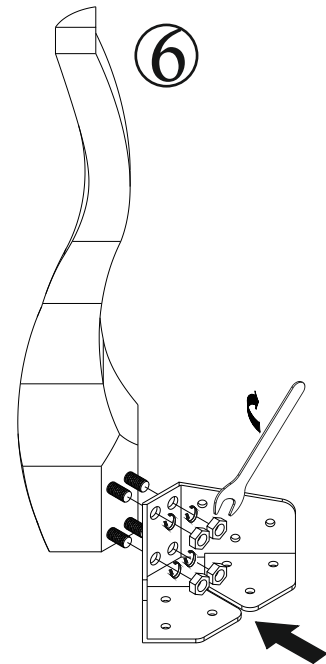
4



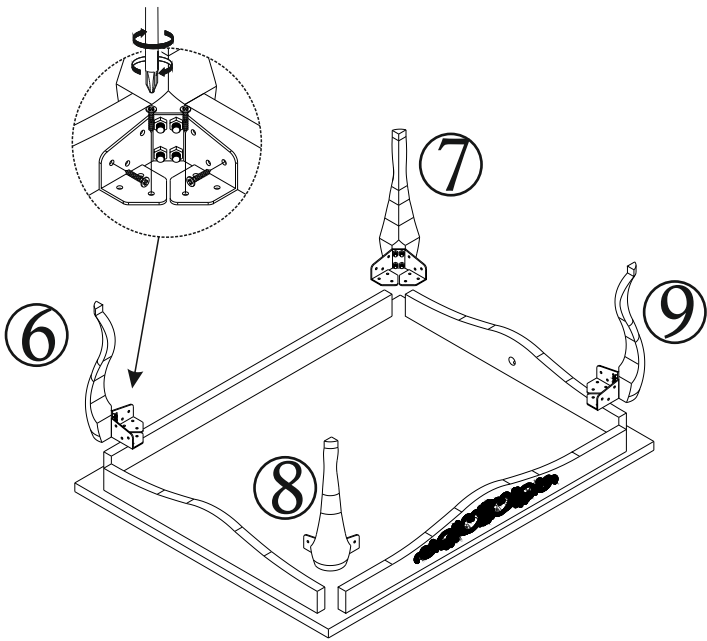
3



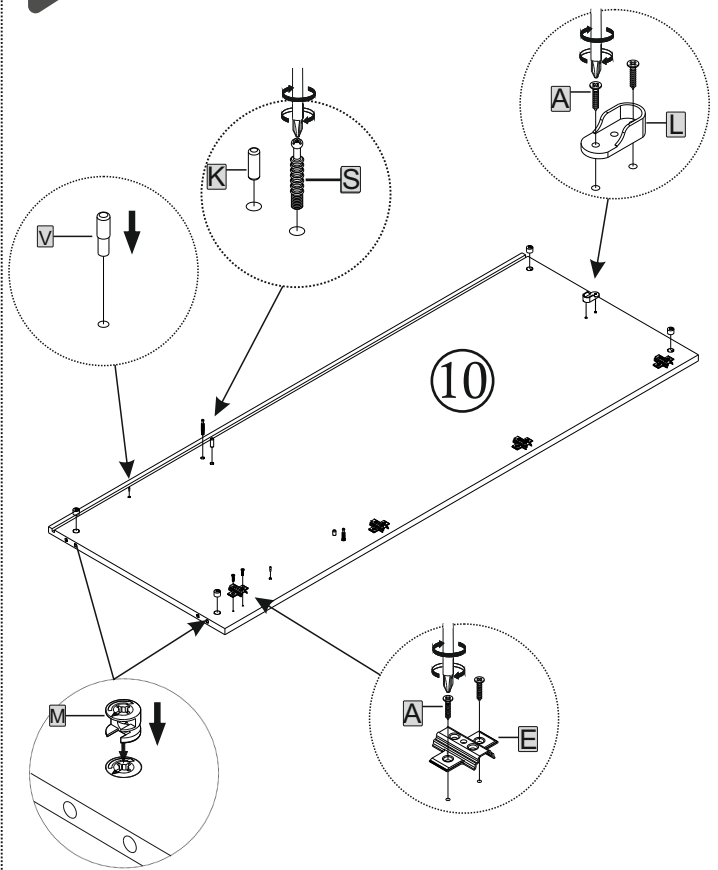
5



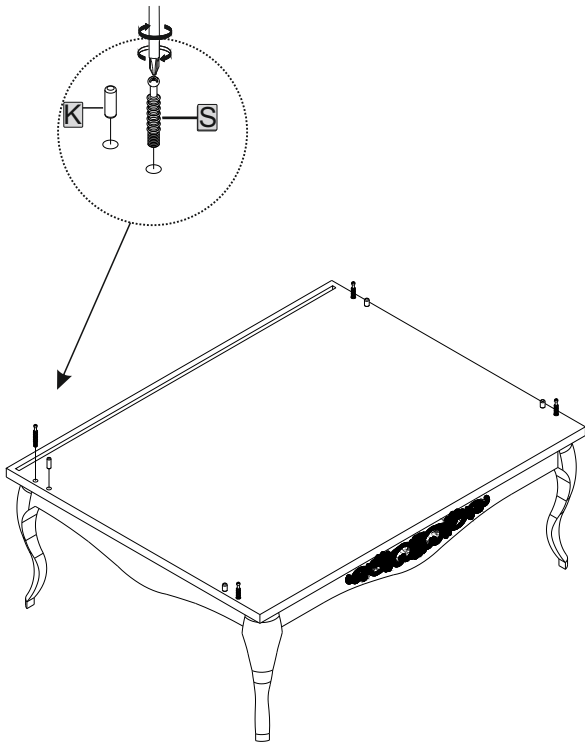
6



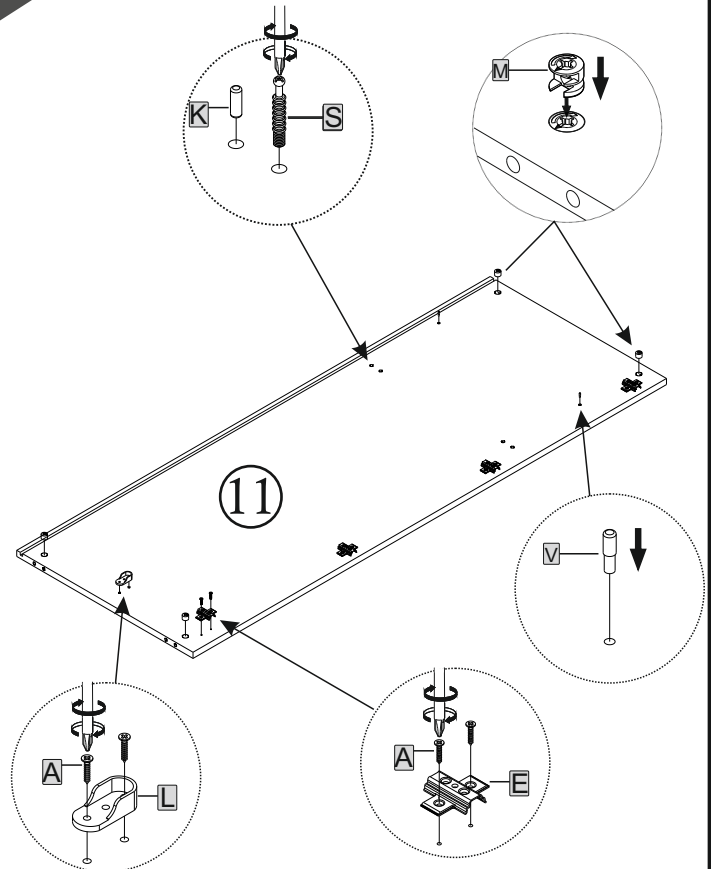
8



7

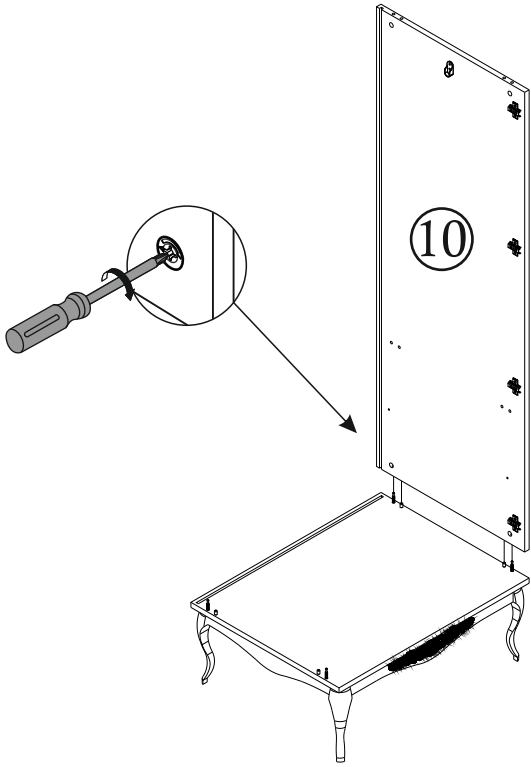


9

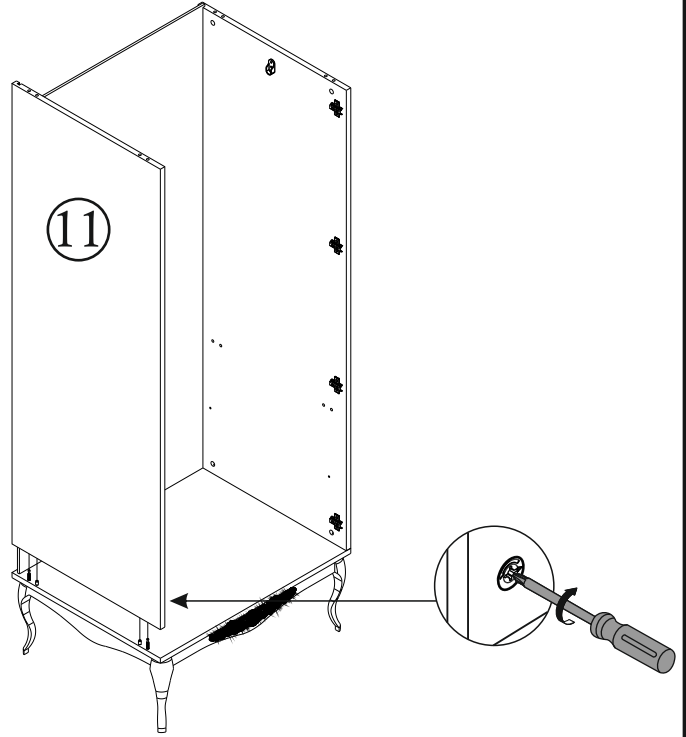




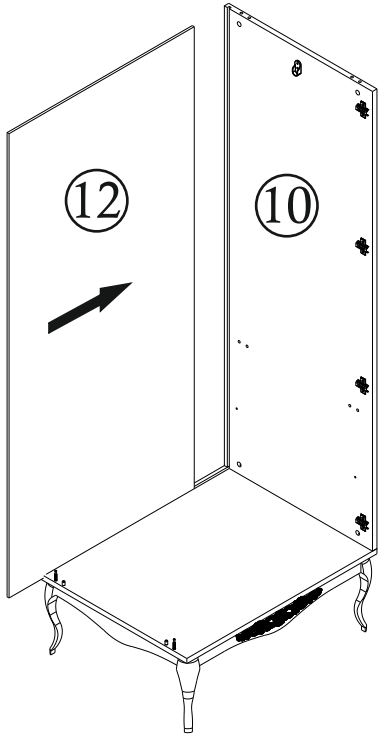
10



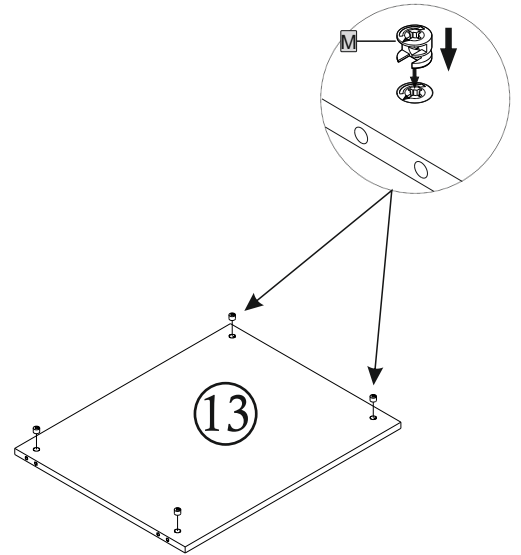
12



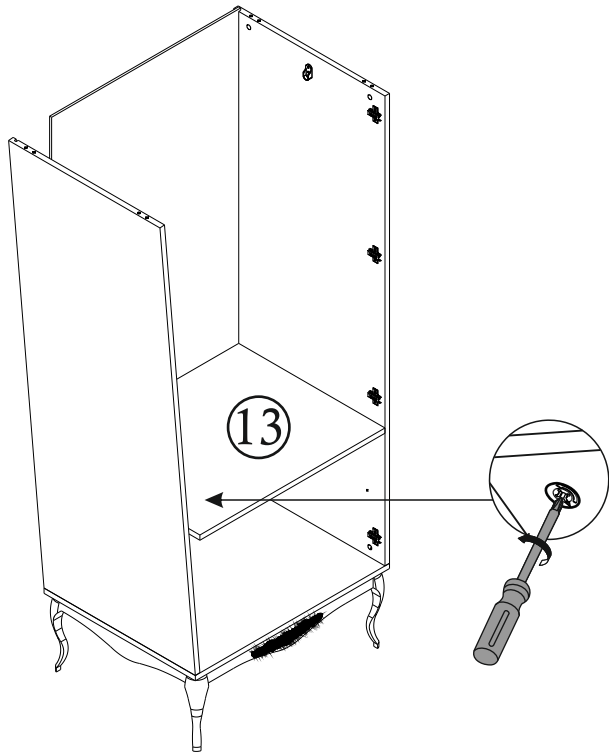
11



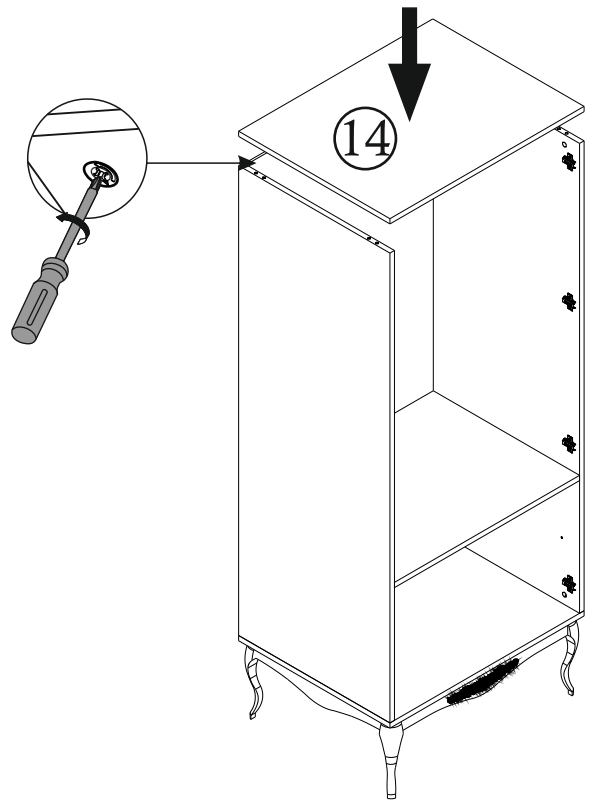
13



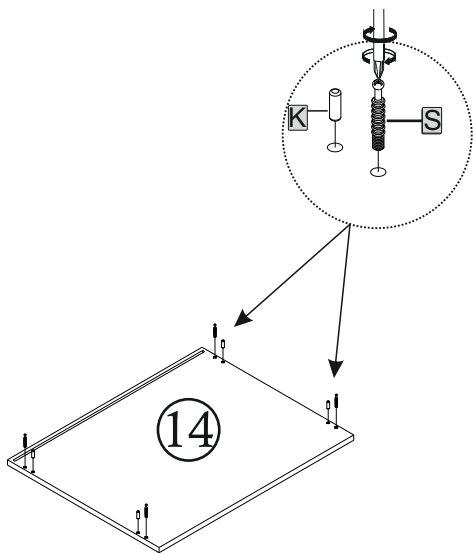
14



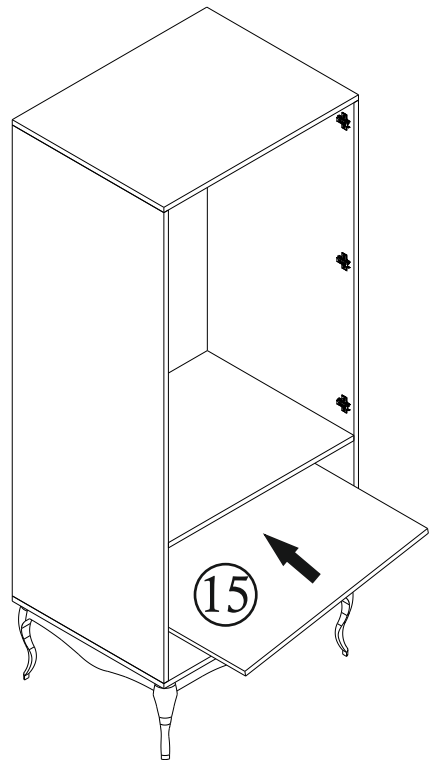
16



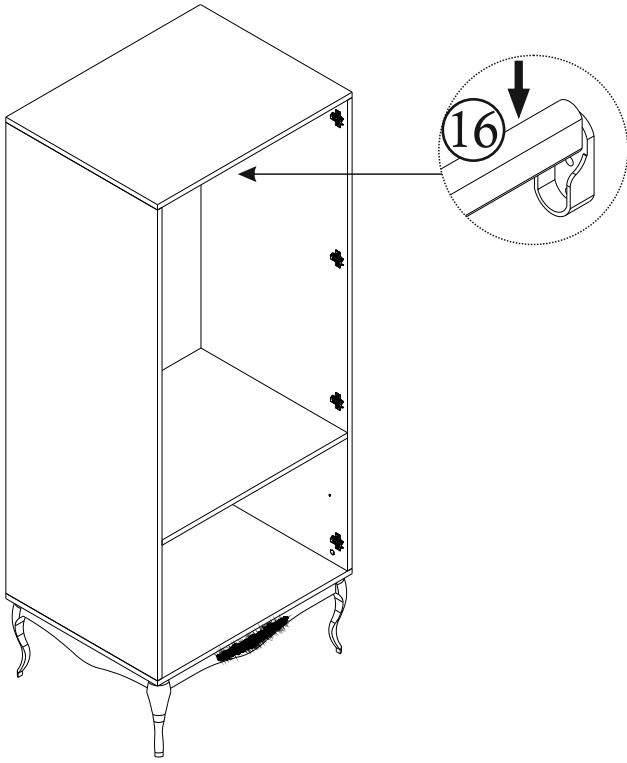
15



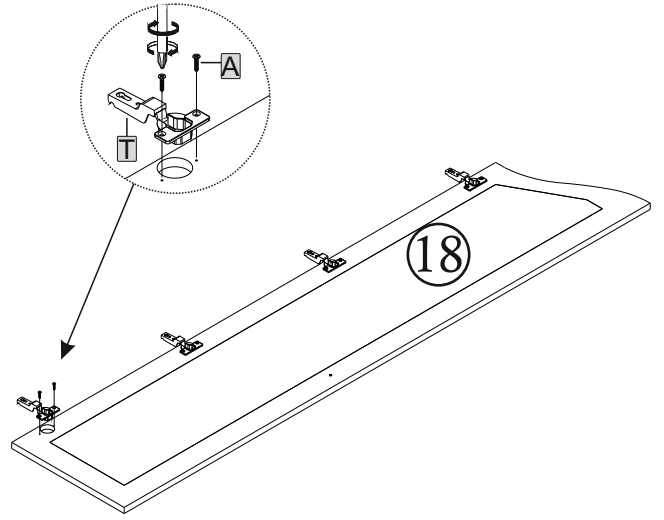
17



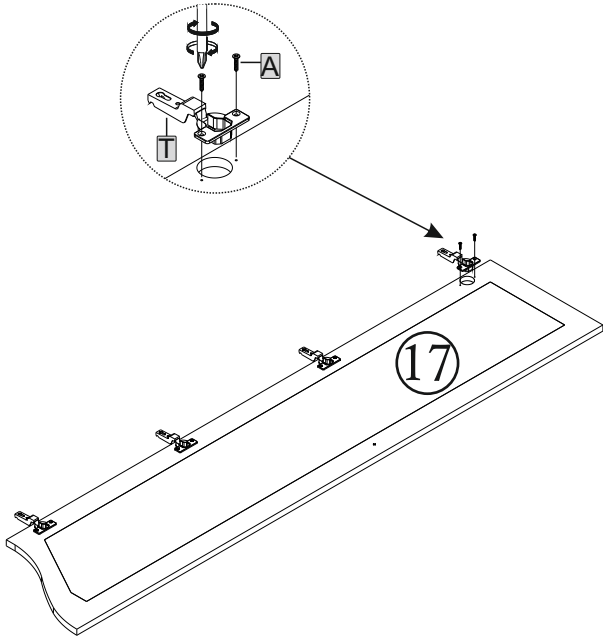
18



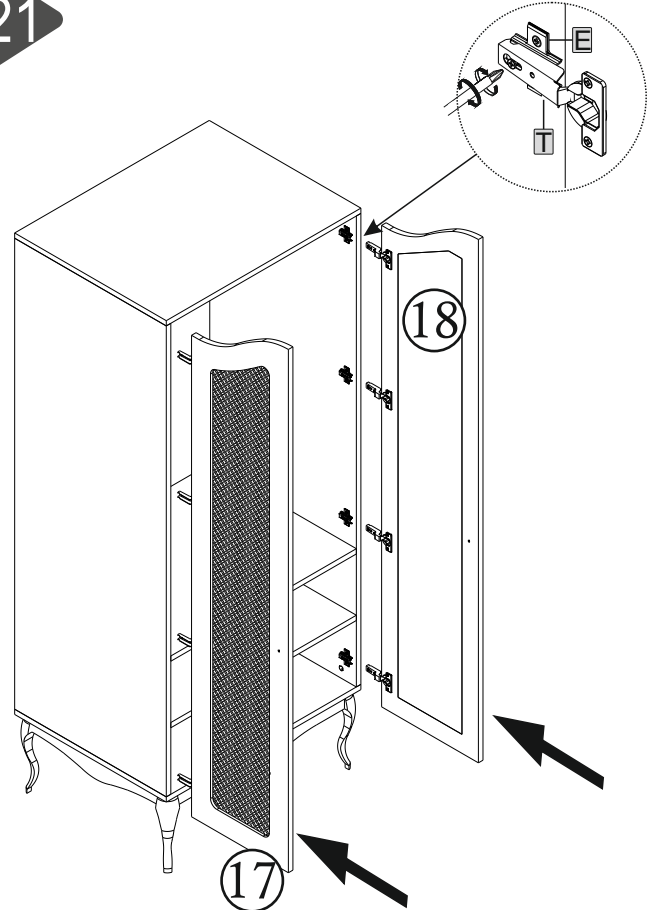
20



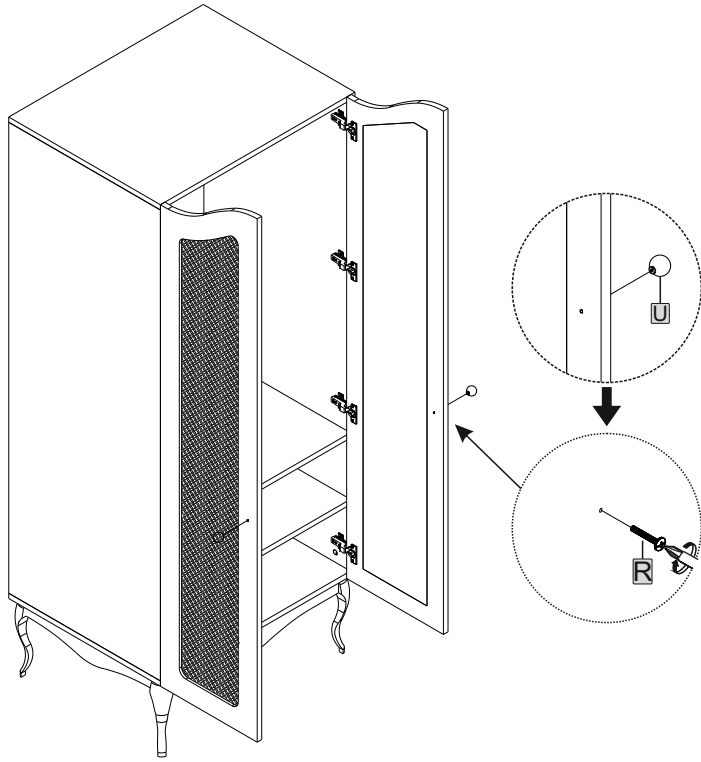
19



21



22



23

