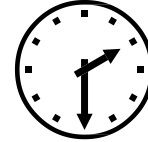
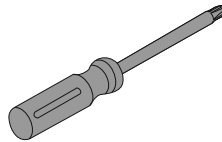
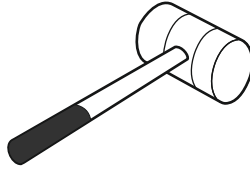
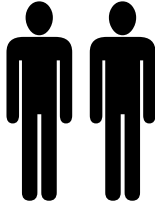
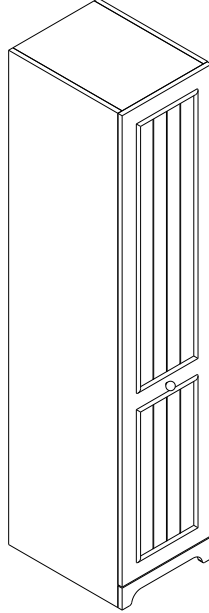
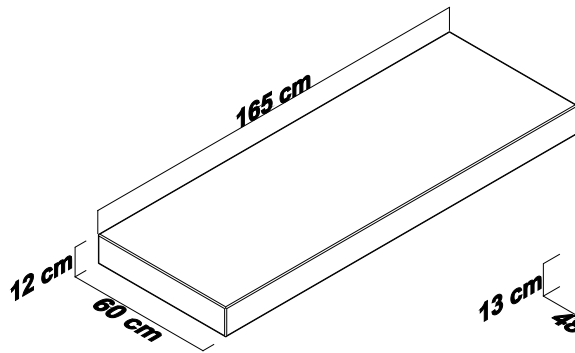




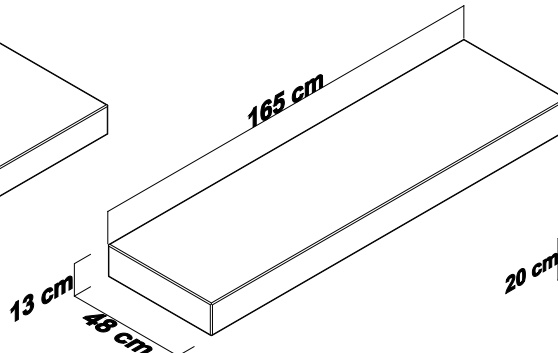
TİTİ CAR BED CO.



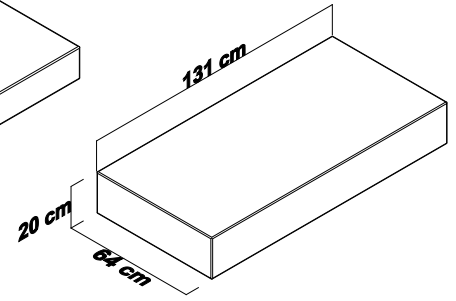
The Total Time 1.5 Hours



3/1
1 Ad./pc.



3/2
1 Ad./pc.



3/3
1 Ad./pc.

KOD/MODEL NR

ÜRÜN ADI/PRODUCT NAME

VİCTORY SOL DOLAP (VICTORY LEFT CABINET)

Montaj Klavuzu-Assembly Instructions

Sayfa-Page:6/1

1/1



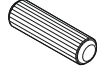
M×14 ad./pc.



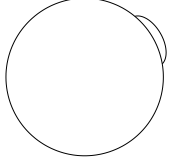
S×14 ad./pc



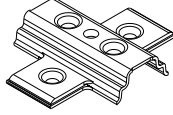
A×12 ad./pc



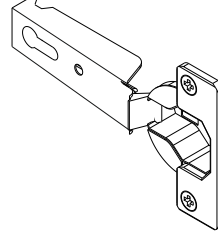
K×14 ad./pc



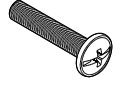
U×1 ad./pc



E×3 ad./pc.



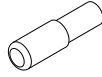
Y×3 ad./pc



R×1 ad./pc

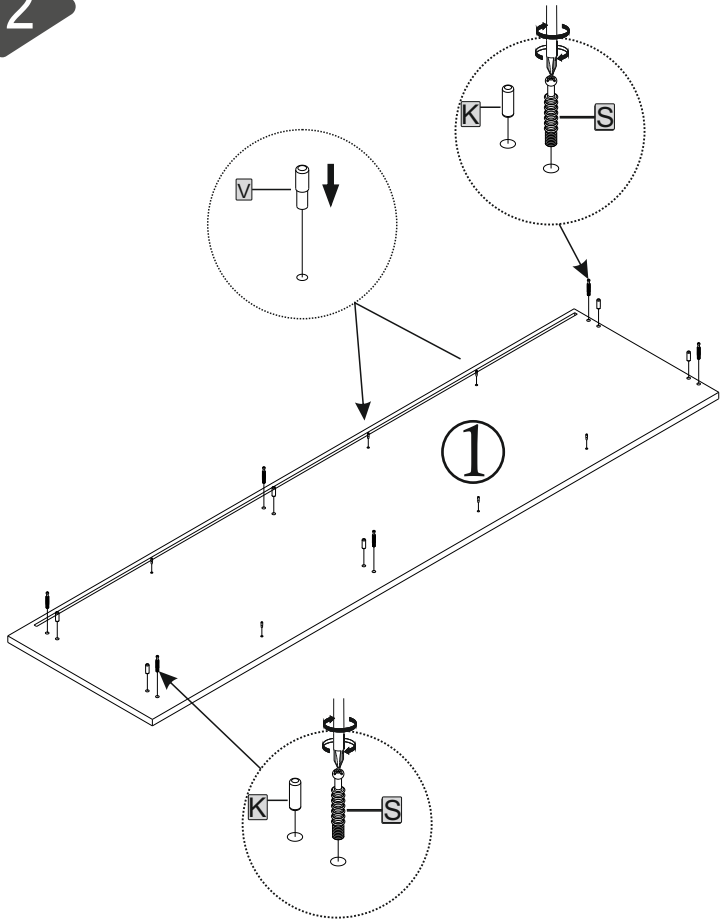


H×10 ad./pc

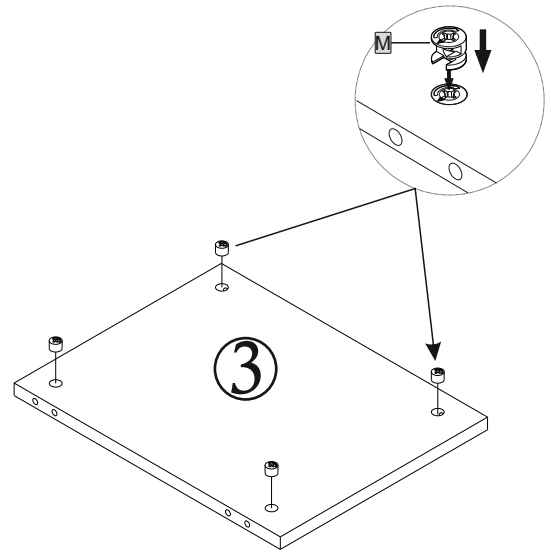


V×12 ad./pc

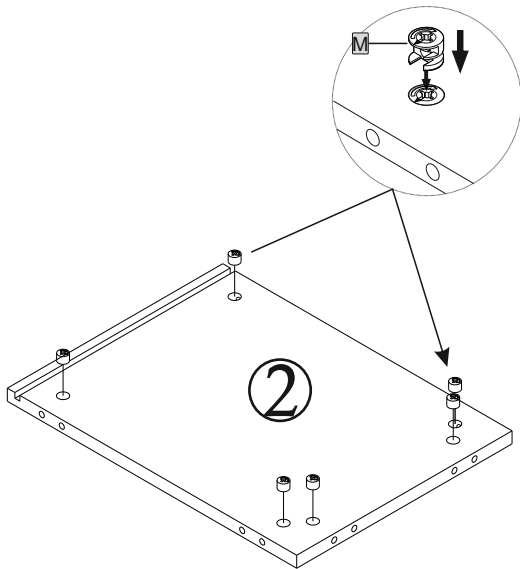
2



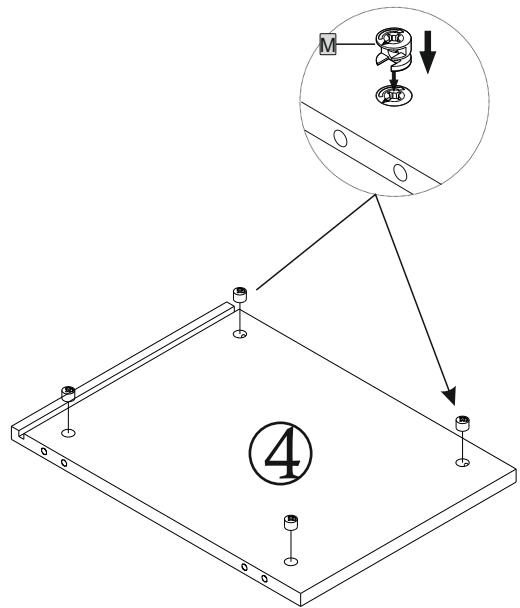
4

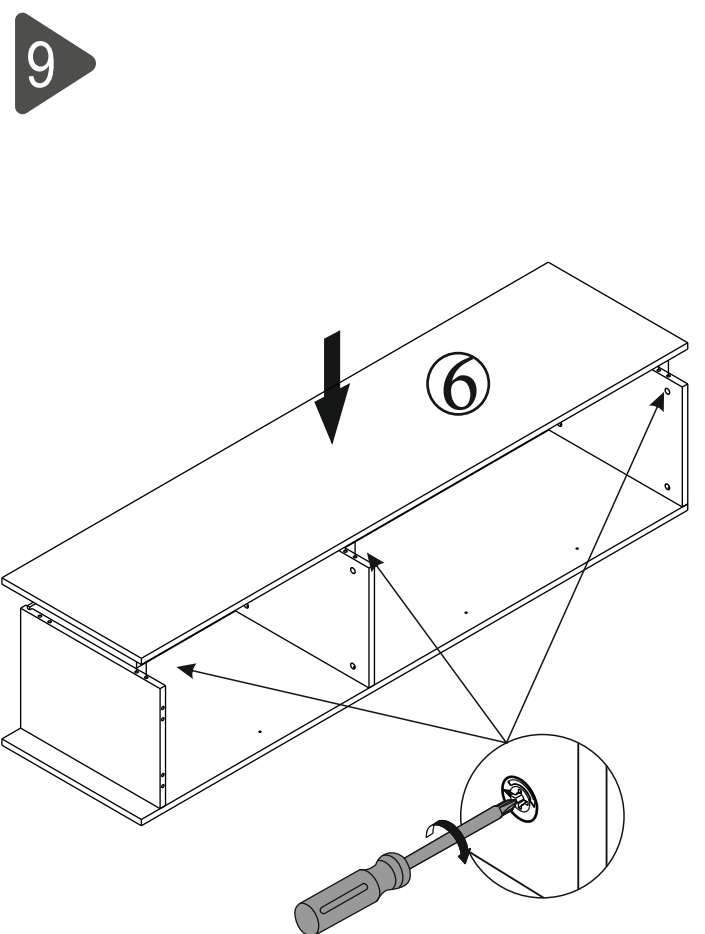
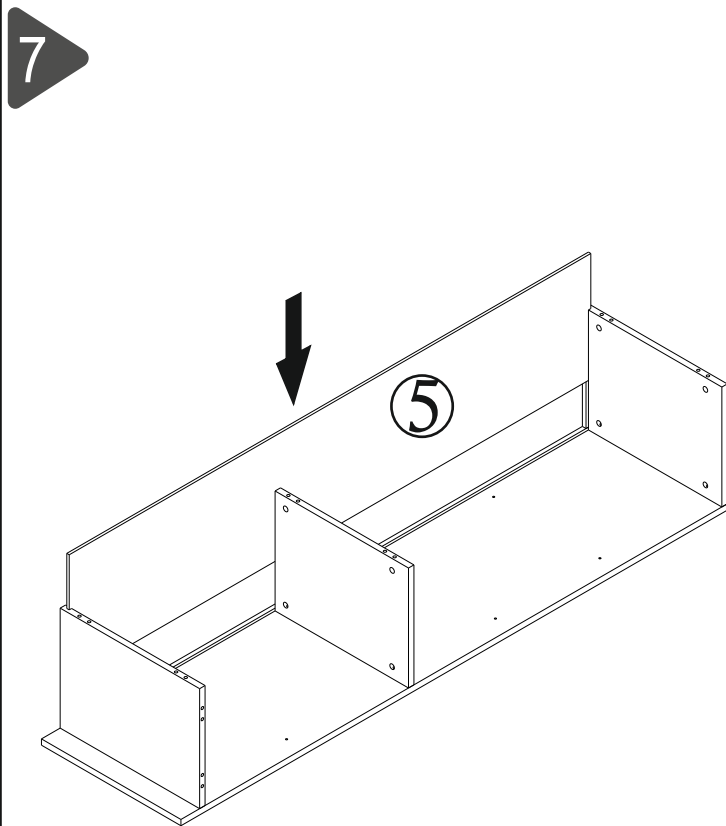
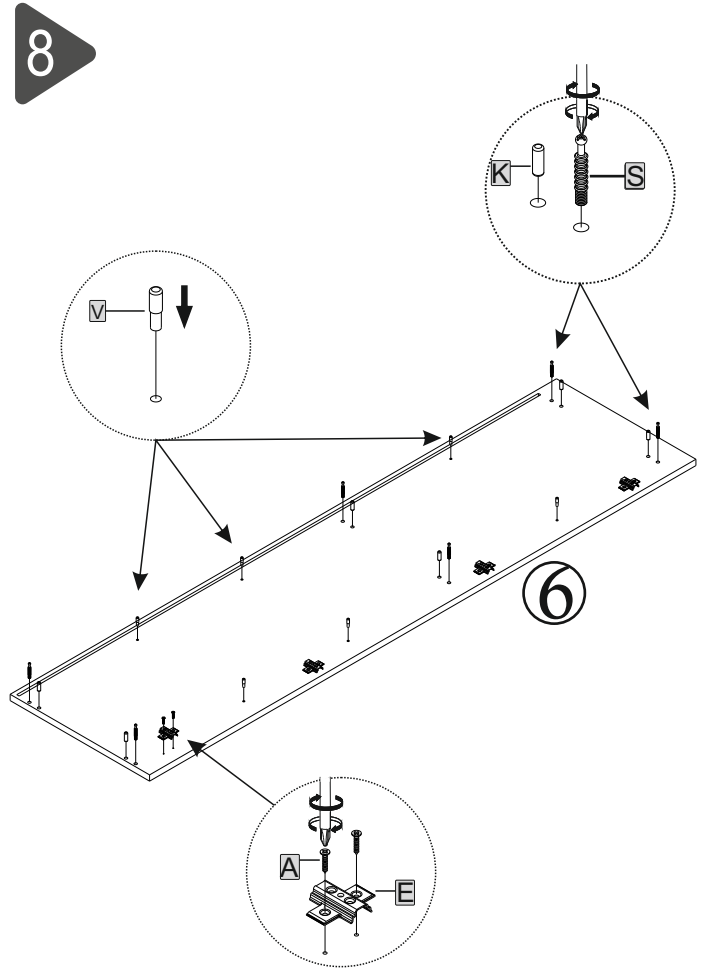
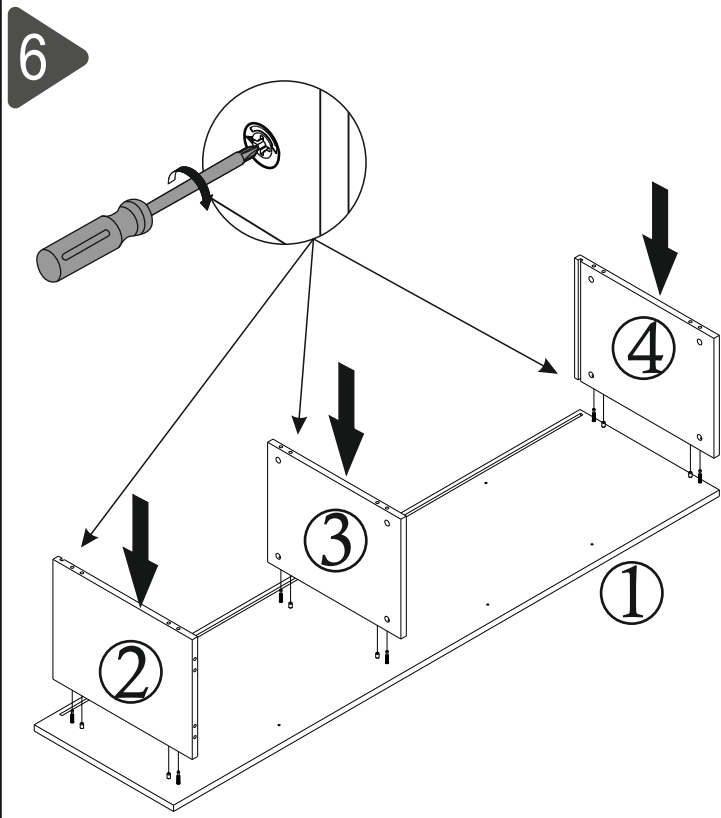


3

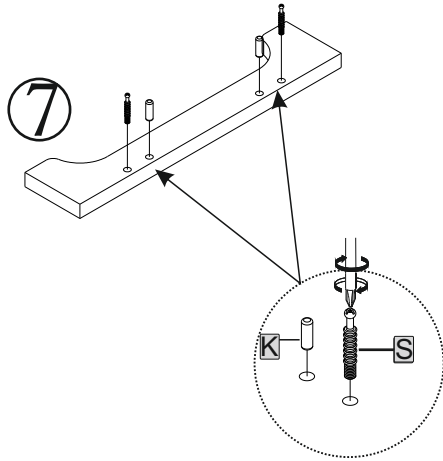


5

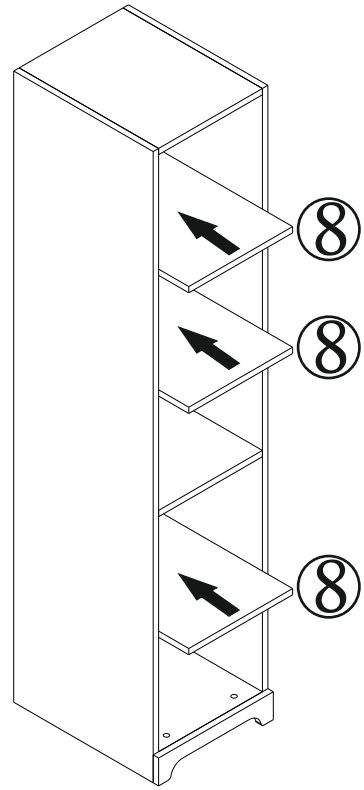




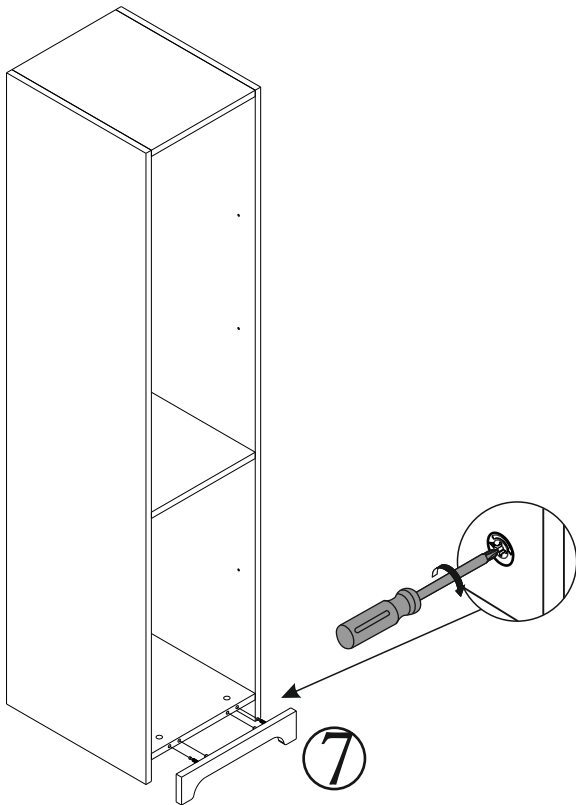
10



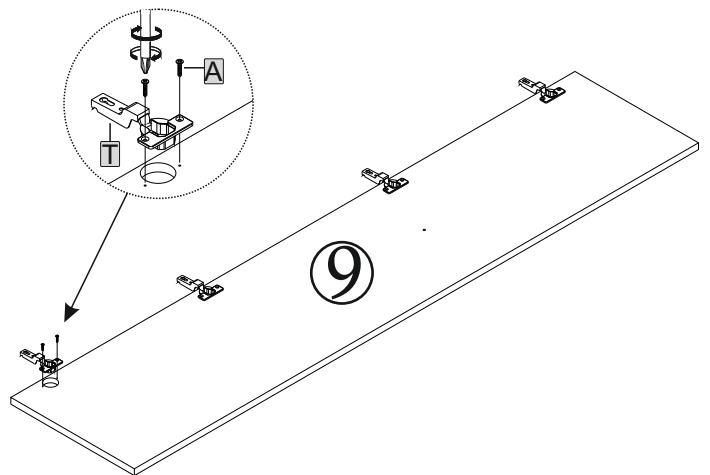
12



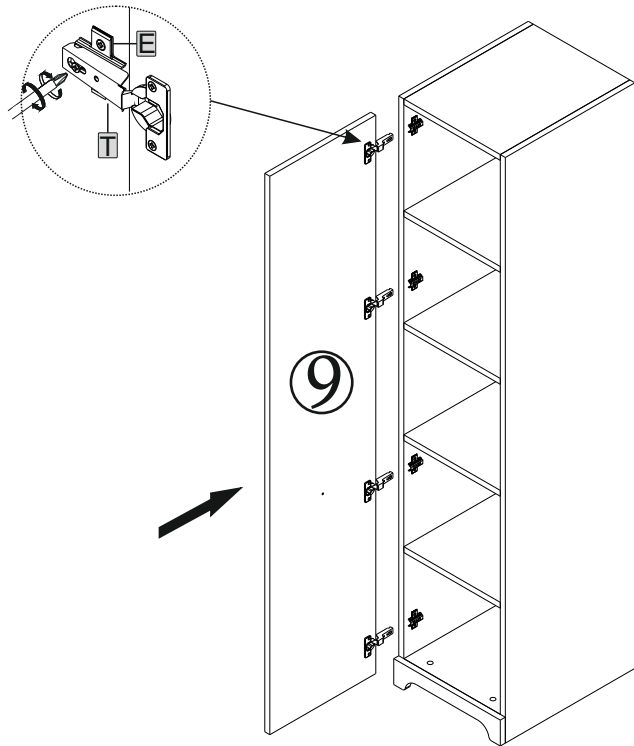
11



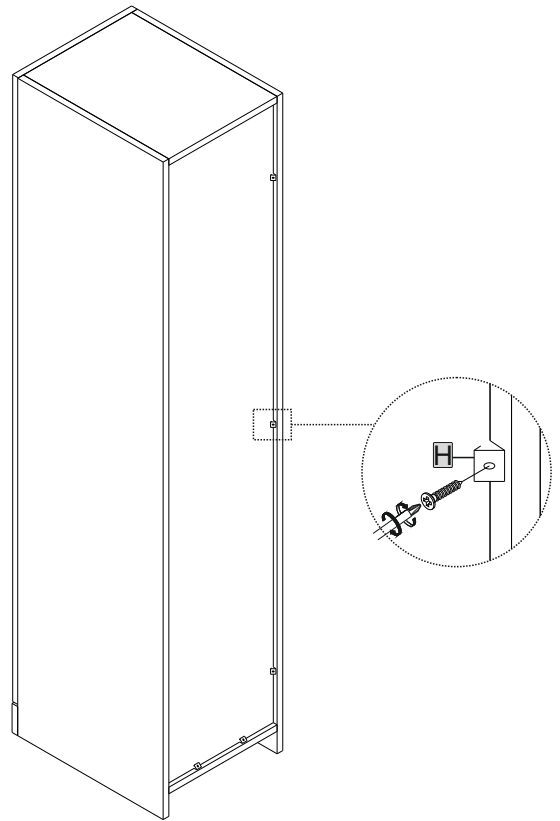
13



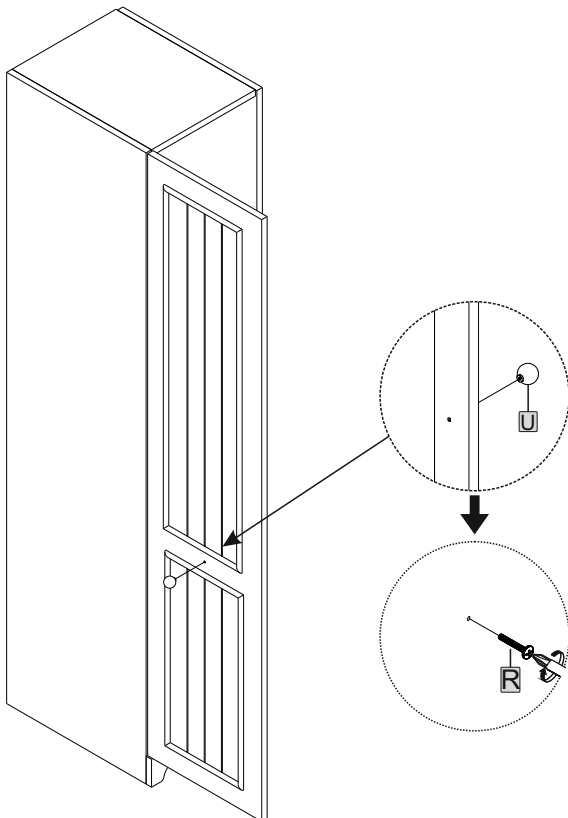
14



16



15



17

